

# SLS...

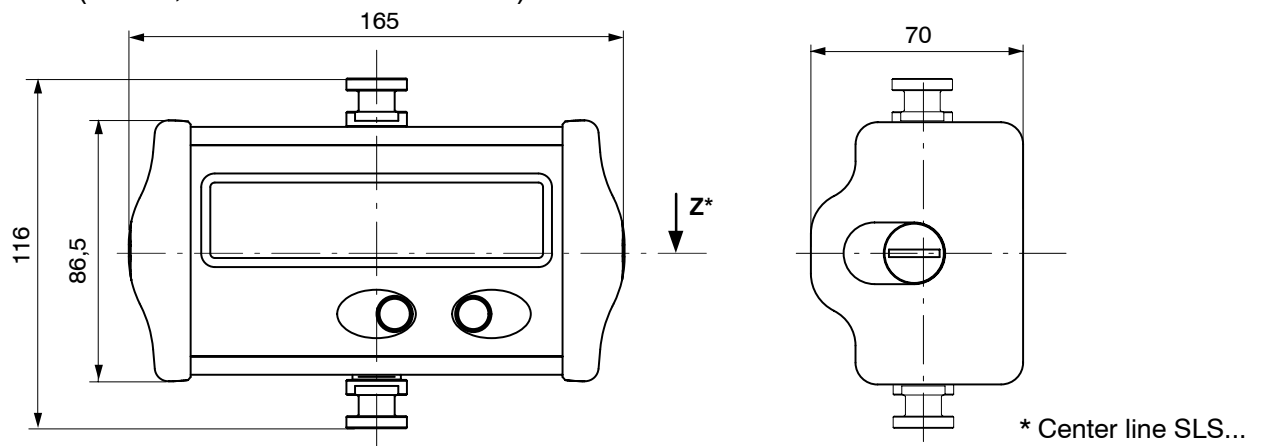
## Sling scale



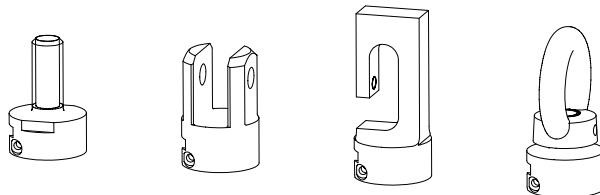
### Special features

- compact and easy to mount add-on unit to common patient lifters
- 2000 d single range / 1600 d dual range application (acc. to OIML R 76)
- high safe load limit
- very low current consumption
- provides all basic scale functions
- g-factor correction after verification w/o affecting sealing
- protection class IP 54 according to EN 60529

Dimensions (in mm; 1 mm= 0.03937 inches)



Components at disposal:

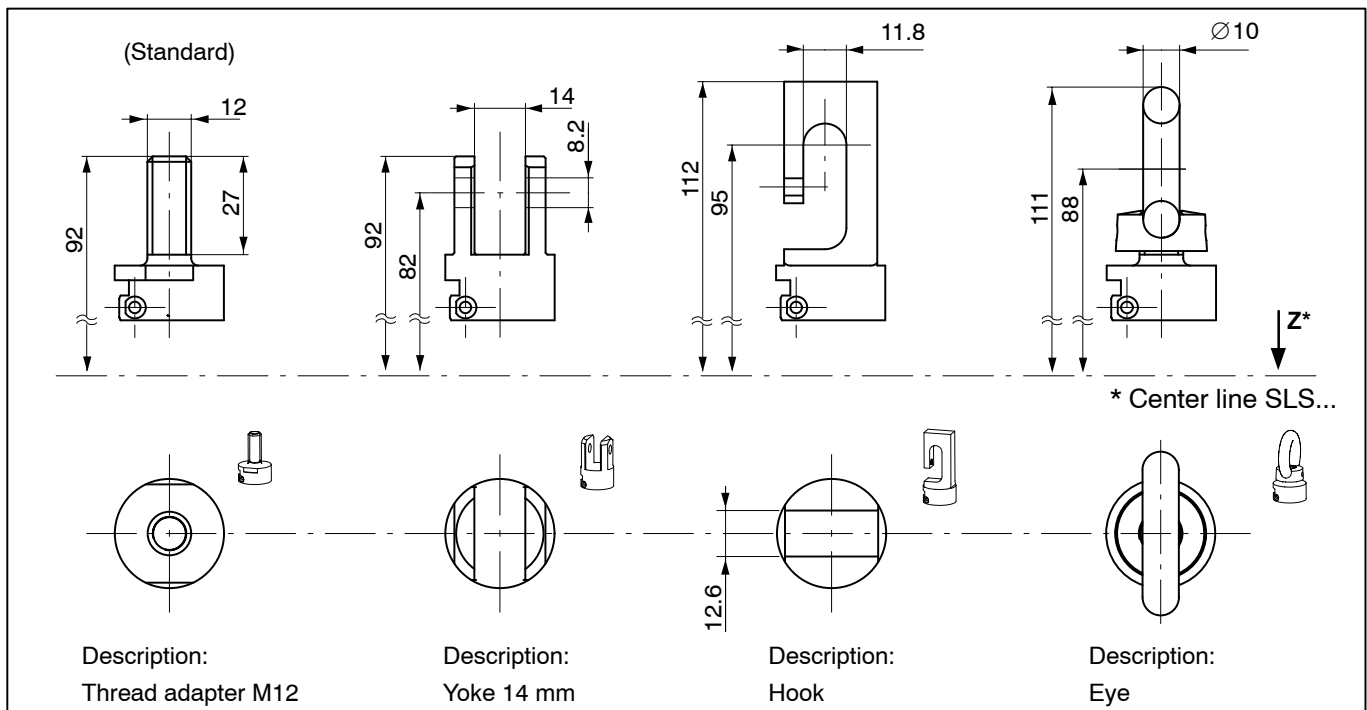


## Specifications

| Type  |                        | SLS    | SLSC2 | SLSC2-MR      |
|---|------------------------|--------|-------|---------------|
| Accuracy class according to OIML R76        |                        | -      | C2    | C2/C1,6       |
| Maximum number of scale intervals           | $d_1=e_1$<br>$d_2=e_2$ | 10 000 | 2000  | 2000<br>1600  |
| Maximum capacity ( $E_{max}$ )              | Max 1<br>Max 2         | kg     | 200   | 200<br>320    |
| Minimum verification interval               | $e_1$<br>$e_2$         | g      | 20    | 100<br>200    |
| Safe load limit ( $E_L$ )                   |                        | kg     |       | 500           |
| Breaking load ( $E_d$ )                     |                        | kg     |       | 1000          |
| Display                                     |                        |        |       | 5 digits      |
| Battery                                     |                        |        |       | 4 x AA cells  |
| Battery life (AA cell with 1600 mAh)        | h                      |        |       | 270           |
| Battery voltage                             | V                      |        |       | 3.6 ... 6V    |
| Current consumption, active mode            | mA                     |        |       | < 6           |
| Quiescent current, stand-by mode            | mA                     |        |       | < 0.001       |
| Nominal temperature range ( $B_T$ )         | °C                     |        |       | -10 ... +40   |
| Operating temperature range ( $B_{tu}$ )    | °C                     |        |       | -20 ... +60   |
| Storage temperature range ( $B_{tl}$ )      | °C                     |        |       | -40...+85     |
| Dimensions (W x H x D)                      | mm                     |        |       | 164 x 87 x 70 |
| Weight                                      | kg                     |        |       | approx. 0.7   |
| Protection class acc. to DIN 40050 (IEC529) |                        |        |       | IP54          |

The balance is insensitive to HF irradiation and line-bound disturbances according to OIML R76; EN45501 resp. EN55011B and EN50082-2

## Components (optional)



Modifications reserved.

All details describe our products in general form only. They are not to be understood as express warranty and do not constitute any liability whatsoever.

Hottinger Baldwin Messtechnik GmbH

Im Tiefen See 45, D-64293 Darmstadt, Germany  
Tel.: +49 6151 803-0 Fax: +49 6151 803 9100  
Email: support@hbm.com Internet: www.hbm.com



measurement with confidence